

# UNDERGROUND DRIVE UNIT

## FD 20-UG



### Attractive design and innovative technology

The Gilgen underground drive unit FD 20-UG has been specifically designed for maximum performance, endurance and extremely silent operation.

For applications ranging from interior and exterior doors, the Gilgen FD 20-UG is the appropriate choice!

### At a glance

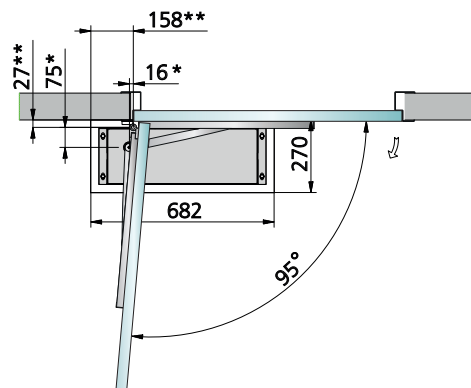
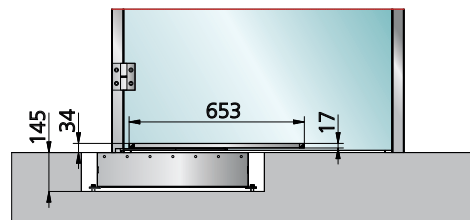
- Drive unit with rust-resisting case and cover plate
- Integrated travel stops in the sliding rods
- Electromechanical drive system
- Controlled, spring-actuated closure with motor assistance
- Spring-actuated closure in the event of a power failure
- Ease of service, no need to remove the door
- Can be retrofitted
- The safety sensor system mounted on the moving door leaf ensures a reliable operation
- Additional finger protection might be needed in some markets

### Application limits

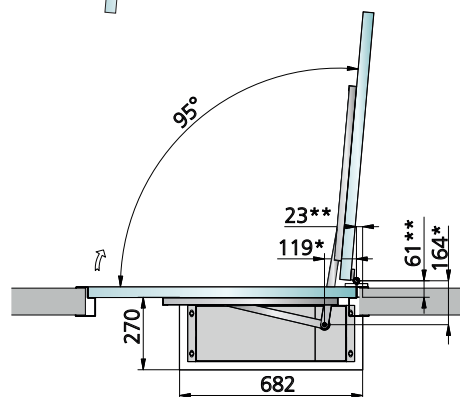
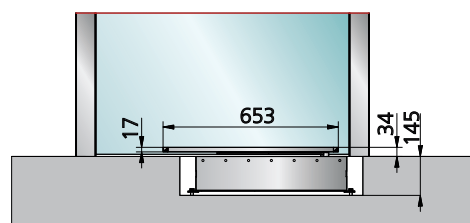
|                          |  |
|--------------------------|--|
| Maximum door leaf weight | 250 kg                                   |
| Door sizes               | 750 – 1600 mm                            |
| Maximum opening angle    | 95°                                      |
| Maximum wind speed       | 60 km/h (180 Pa, depending on door size) |
| Ambient temperature      | -15 to +50 °C                            |
| Relative humidity        | maximum 85 %                             |

# Application possibilities

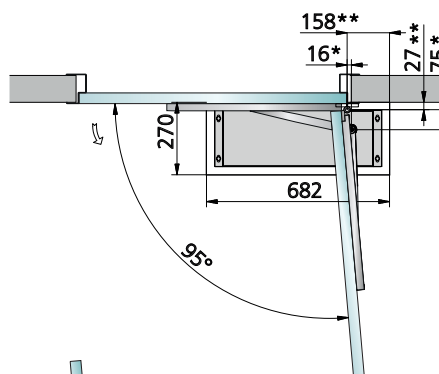
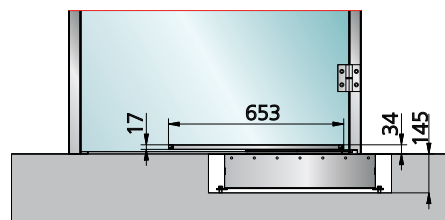
## DIN left pulling function



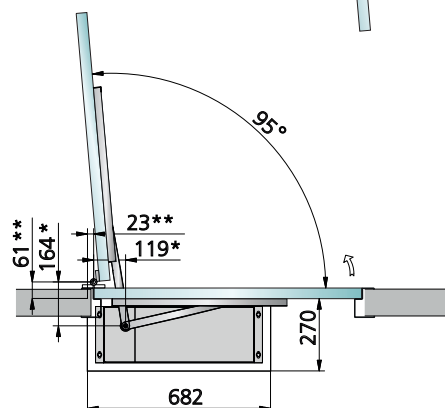
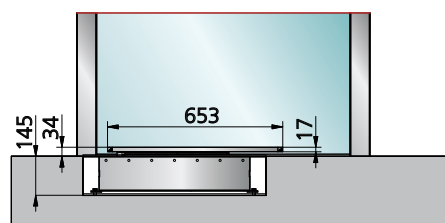
## DIN left pushing function



## DIN right pulling function



## DIN right pushing function



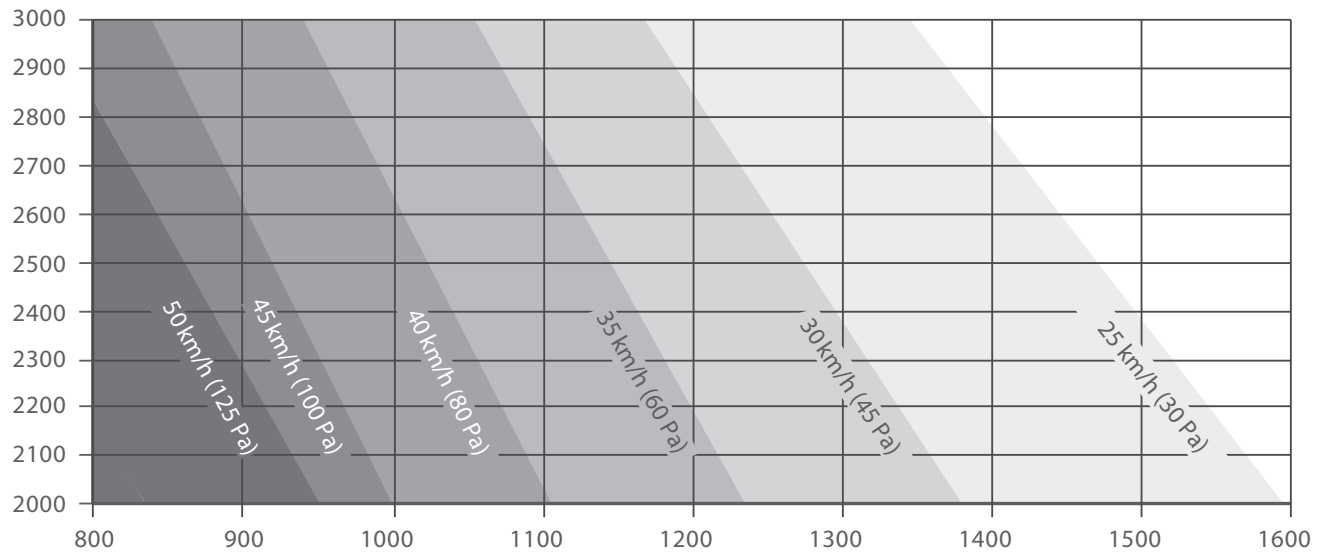
\* Position: Drive unit axis to door pivot

\*\* Position: Floor cut-out to door pivot

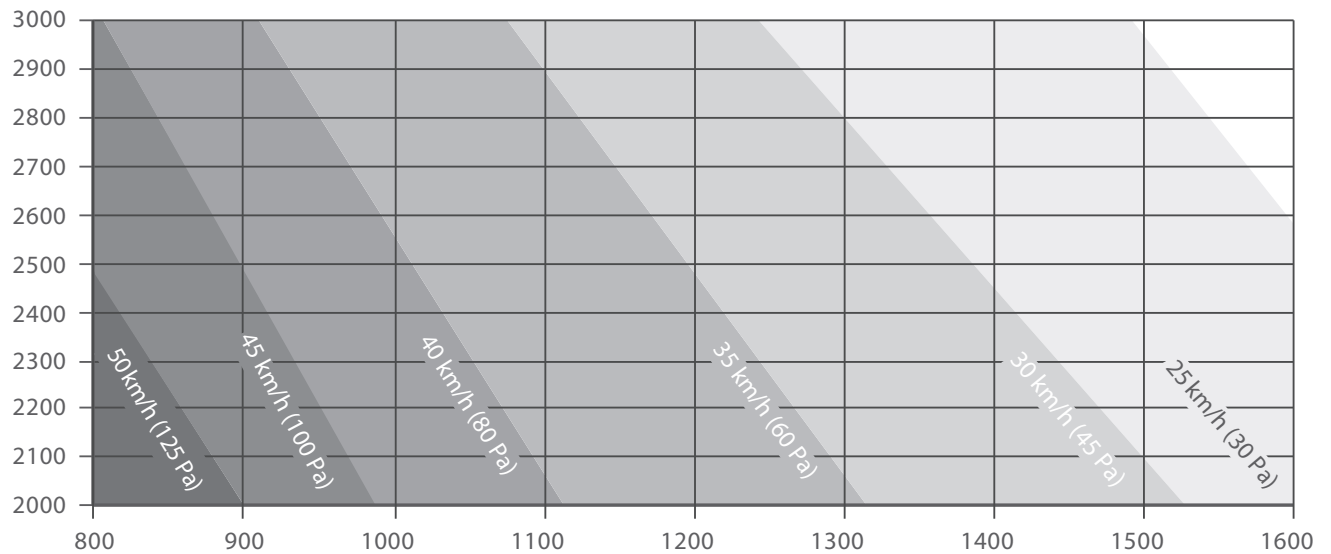
# Application possibilities

## Maximum wind speed

Sliding rod with pushing function



Sliding rod with pulling function



## Technical specifications

|                                      |   |
|--------------------------------------|---|
| Door operation                       | Sliding rod (with pushing and pulling function) |
| Drive dimensions                     | Height 133, width 210, length 622 mm            |
| Drive weight                         | 25 kg   |
| Protection rating                    | IP 54   |
| Operating voltage                    | 230 VAC (+10/-15 %), 50 Hz, 10/13 A             |
| Power consumption of drive mechanism | maximum 560 W                                   |
| Power rating of motor                | 100 W   |
| Stand-by consumption                 | 4 W   |
| Power supply for additional devices  | 24 VDC ( $\pm 10$ %), 2 A                       |
| Drive torque                         | maximum 80 Nm                                   |
| Opening speed                        | maximum 40°/s                                   |
| Closing speed                        | maximum 40°/s                                   |