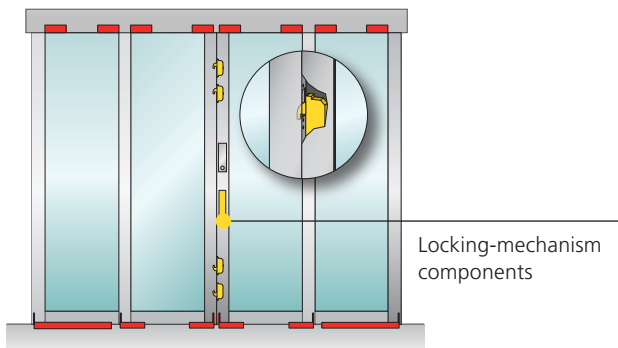


BURGLAR-RESISTANT AUTOMATIC SLIDING DOOR

TESTED AND APPROVED TO UK AND EUROPEAN SECURITY STANDARDS



**Multi-point locking (FLUVERI RC)
components and system reinforcement**



Gilgen's SL-S range of automatic security rated sliding door sets offer optimum resistance to break-in attempts whilst providing architecturally pleasing people flow solutions. They are tested and certified to a selection of UK standards by BRE-LPCB and they also satisfy similar European security standards.

Certification according British standards

- PAS 24: 2016 (D classification)
- BRE - LPS 2081 Issue 1(B classification)
- BRE- LPS 1175 Issue 7 (SR1 & SR2 classification)

Fulfils European standards:

- Break-in prevention standards EN 1627 - EN 1630
- TÜV-tested for conformity with corresponding specifications and standards for safety in use (e.g. BS EN 16005)

Door configurations

- Single-leaf and bi-parting sliding doors
- With side panel(s), glazed overhead panel and / or protective leaf/leaves
- FLUVERI multi-point locking mechanism (concealed by integration into door leaf), automatic / manual
- Flush bottom guide rail / drainage optional
- Can be attached to the door lintel or wall
- Self-supporting, with jamb reinforcement
- Vertical interlocking of door leaf



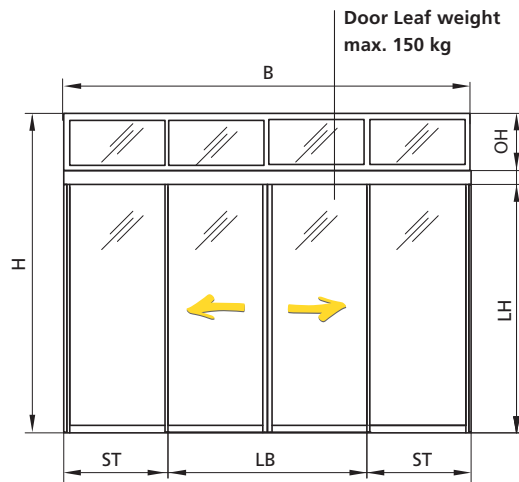
1531a, 1531b, 1531c

Secured by Design

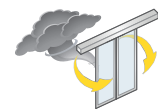


Police Preferred Specification

Configuration	PAS 24	LPS 2081	LPS 1175
Door model	SL35-S	SL35-S ESRB	SL35-S ESR-1 SL35-S ESR-2
Bi-parting system with side panel and glazed overhead panel			
Clear width (LB)	800-3000	800-3000	800-3000
Clear height (LH)	2000-2640	2000-2640	2000-2640
Side panel width (ST)	438-1850	438-1850	438-1850
Overhead panel height (OH)	300-560	300-560	300-560
Installation width (B)	1730-6130	1730-6130	1730-6130
Installation height (H)	2440-3340	2440-3340	2440-3340
Bi-parting system with side panel			
Clear width (LB)	800-3000	800-3000	800-3000
Clear height (LH)	2000-2640	2000-2640	2000-2640
Side panel width (ST)	438-1850	438-1850	438-1850
Installation width (B)	1730-6130	1730-6130	1730-6130
Installation height (H)	2140-2780	2140-2780	2140-2780
Bi-parting system without side panel			
Clear width (LB)	800-3000	800-3000	800-3000
Clear height (LH)	2000-2640	2000-2640	2000-2640
Installation height (H)	2140-2780	2140-2780	2140-2780
Single door leaf without side panel, with left or right hand opening			
Clear width (LB)	700-1650	700-1650	700-1650
Clear height (LH)	2000-2640	2000-2640	2000-2640
Installation height (LH)	2140-2780	2140-2780	2140-2780



Tested for conformity with product standard EN 16361



Air permeability*
PPD 1



Watertightness*
1 A



Wind resistance*
• PPD 600 B

*Depending on the size of the system and its configuration variant:
Values for a bi-parting system of clear width 1600 mm and clear height 2200 mm, with side door panel and drained bottom guide rail