

THERMALLY INSULATED SLIDING DOOR PST PROFILE SYSTEM



The Gilgen PST profile system combines a high energy efficiency with an unchanged slim profile view and is thus the optimal choice for external doors.

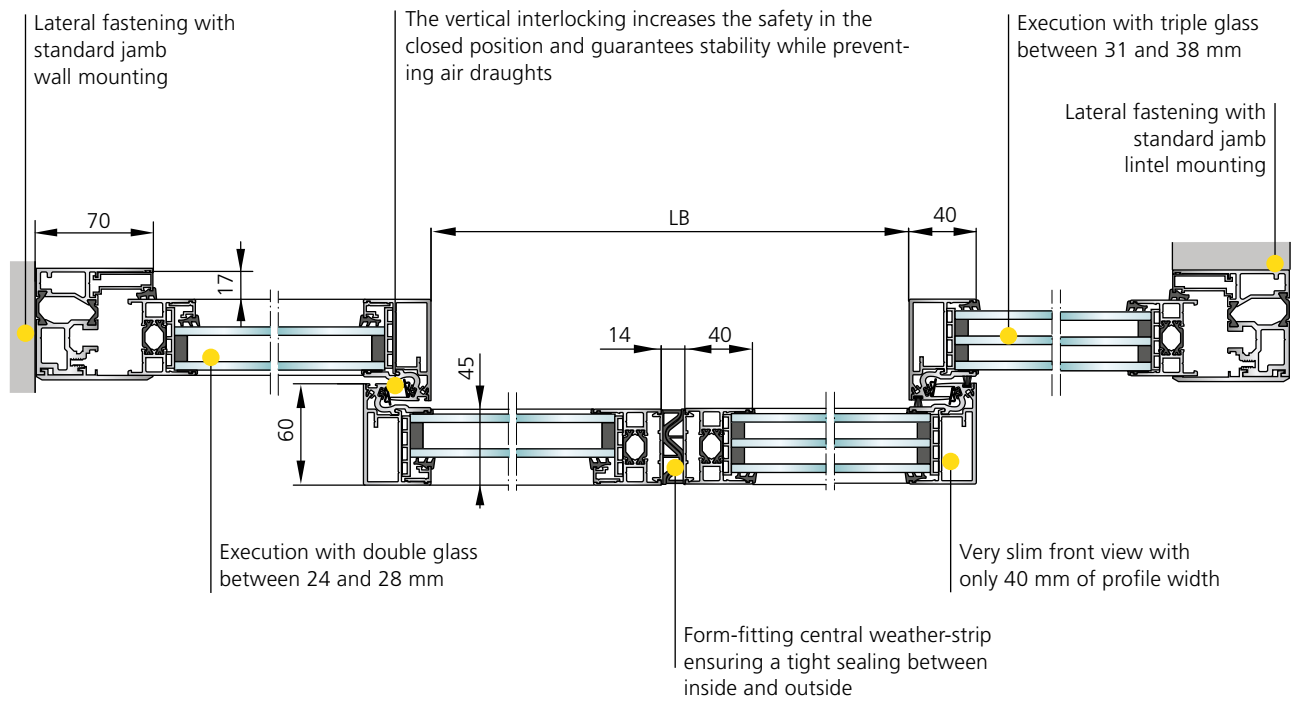
- High thermal protection / low U_g -value
- Single and bi-parting sliding doors
- Two- and four-leaf telescopic sliding doors
- With side panel, glazed overhead panel
- Emergency-exit function (redundant configuration)
- Standard locking-system built into drive mechanism
- FLUVERI multi-point locking (integrated into door leaf) manual / automatic
- Full-length bottom rail with or without drainage
- Fixed point guide
- Vertical door leaf interlocking
- Burglar-resistant execution RC2 / RC3
- Certified overall system (EN 16361)
- TÜV approved and complies with the pertinent standards and requirements (e.g. EN 16005, DIN 18650)
- The energy saving specifications, such as e.g. EnEV, are complied with (country-specific requirements need to be taken into account)
- Door leaf weight up to 240 kg in combination with SL45 (header box 140 mm)

Range of application

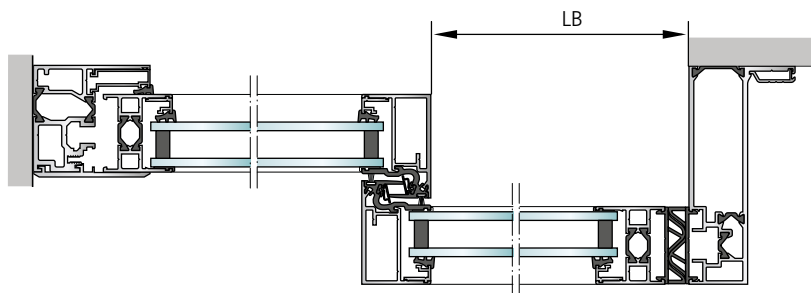
Sliding door	Clear width	Clear height	max. door leaf weight	
			SL 35	SL 45
Single door leaf	700 - 2000 mm (redundant 950 - 1500 mm)	up to 3000 mm	150 kg	240 kg
Bi-parting	800 - 3000 mm (redundant 900 - 3000 mm)	up to 3000 mm	2 x 150 kg	2 x 240 kg
Two-leaf telescopic	1100 - 3000 mm (redundant 1100 - 3000 mm)	up to 3000 mm	2 x 120 kg	2 x 150 kg
Four-leaf telescopic	1200 - 4000 mm (redundant 1400 - 4000 mm)	up to 3000 mm	4 x 75 kg	4 x 120 kg

Possible applications

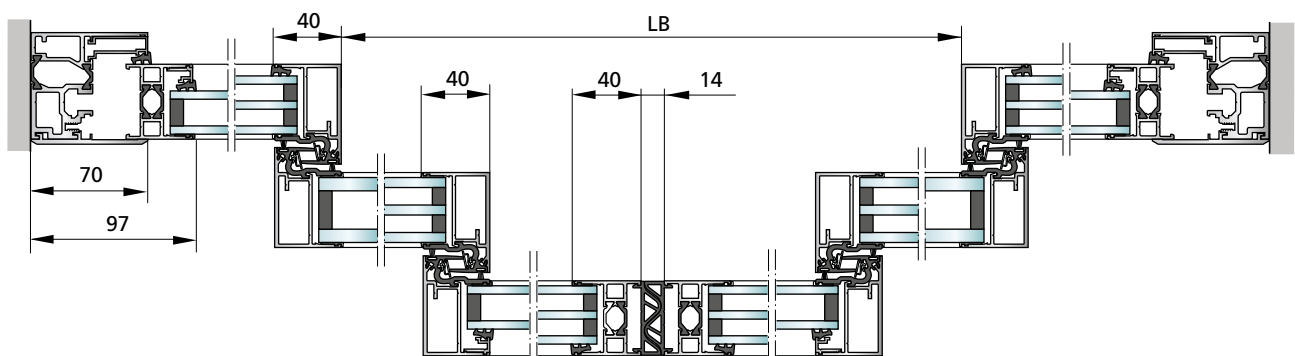
Bi-parting installation with side panels



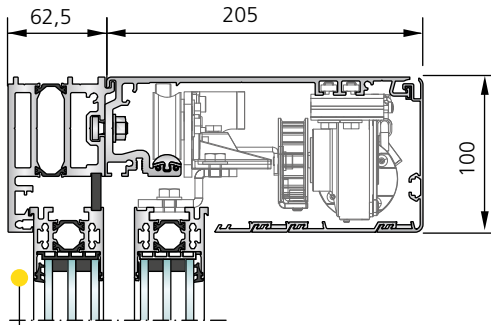
Single door leaf installation with side panel



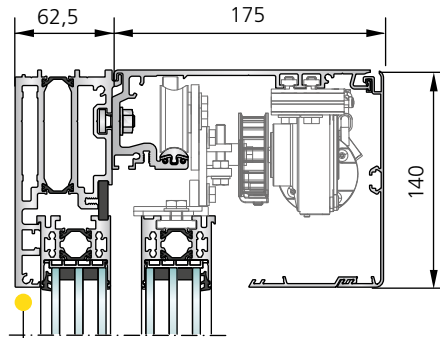
Four-leaf telescopic installation with side panels



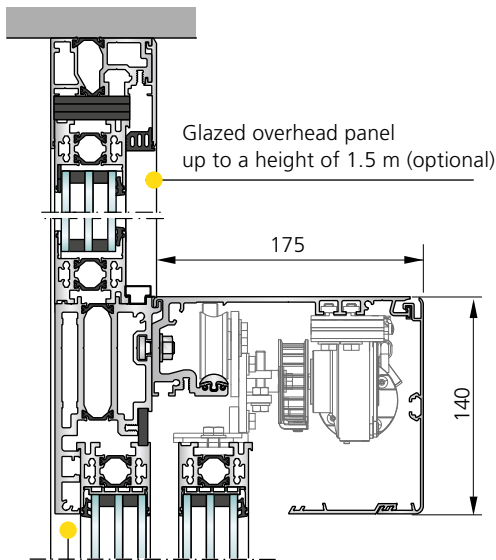
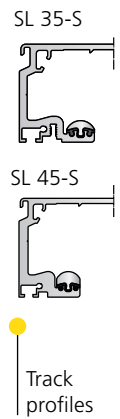
Header height of 100 mm and 140 mm



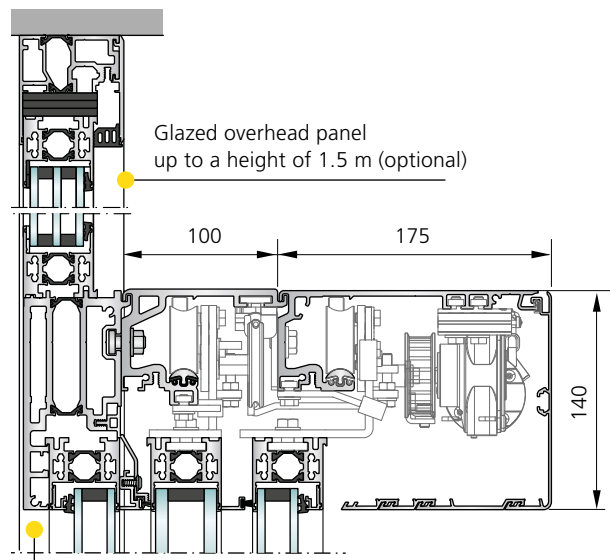
SL 35-C
Header 100 mm
with side panel and supporting profile



SL 35-S / SL 45-S
Header 140 mm
with side panel and supporting profile

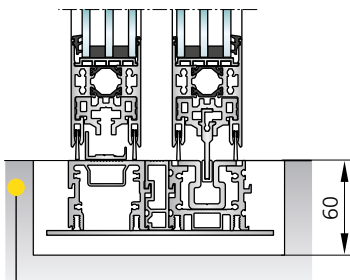


SL 35-S / SL 45-S
Header 140 mm
with side panel and supporting profile

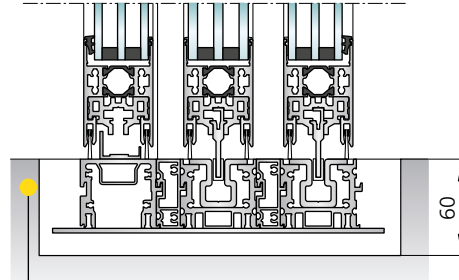


SL 35-T
Header 140 mm telescopic
with side panel and supporting profile

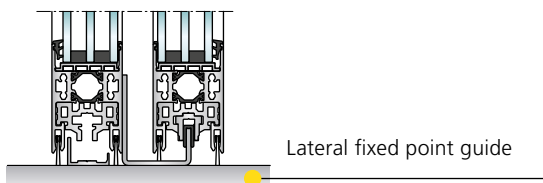
Bottom guide rails



Full-length bottom rail integrated in the floor (for increased safety and stability), bottom rail with drainage optionally available



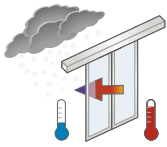
Full-length bottom rail telescopic, bottom rail with drainage optionally available



Lateral fixed point guide

Lateral fixed point guide on the floor

Tested according to product standard EN 16361



Heat-transfer coefficient*

U_g -value with insulated double-glazing:
approx. 1.4...1.8 W/(m²K)

U_g -value with insulated triple-glazing:
approx. 1.1...1.6 W/(m²K)



Watertightness*

- 5 A



Air permeability*

- PPD 2



Wind resistance*

- PPD 800 A
- PPD 800 B
- PPD 700 C

*Depending on the size of the system and its configuration:

Values for a bi-parting system of clear width 1600 mm x clear height 2200 mm with fixed panel and bottom rail with drainage

Options

FLUVERI multipoint locking

- Automatic or manual
- Two-way interlocking of the door leaves, incorporated in the vertical profile
- Options
 - Manual unlocking lever
 - Locking bolt engaging into the floor for manual version
 - Lock monitoring

Hook lock

- Manual single-point locking
- Invisibly incorporated in the vertical profile

