

# PSF PROFILE SYSTEM FULL-GLASS SLIDING DOOR



**Aesthetic design and the effective use of interior space are high priority considerations in many commercial environments. With the GILGEN PSF full-glass automatic sliding door architects can deliver high levels of accessibility for visitors along with a clean, modern finish that blends harmoniously with contemporary interiors.**

With its clear-view full-glass finish GILGEN PSF helps create an inspirational and flexible environment, ideal for offices, receptions, hospitality suites and multi-retail outlets - What's more the system is easy to install and with a wide range of surface finishes available tailored solutions can be created around client needs.

#### **Contemporary design**

- Full-glass design without any visible door leaf profiles
- Transparent door leaf sealing gaskets
- Choice of glazing / surface finish

#### **Configurations**

- Single-leaf and bi-parting sliding doors
- With side panel and / or protection leaf
- Fixed point guide

#### **Installation**

- Can be attached to the door lintel or wall
- Innovative fixing system (no drilling required for ESG glazing configurations)

#### **Locking**

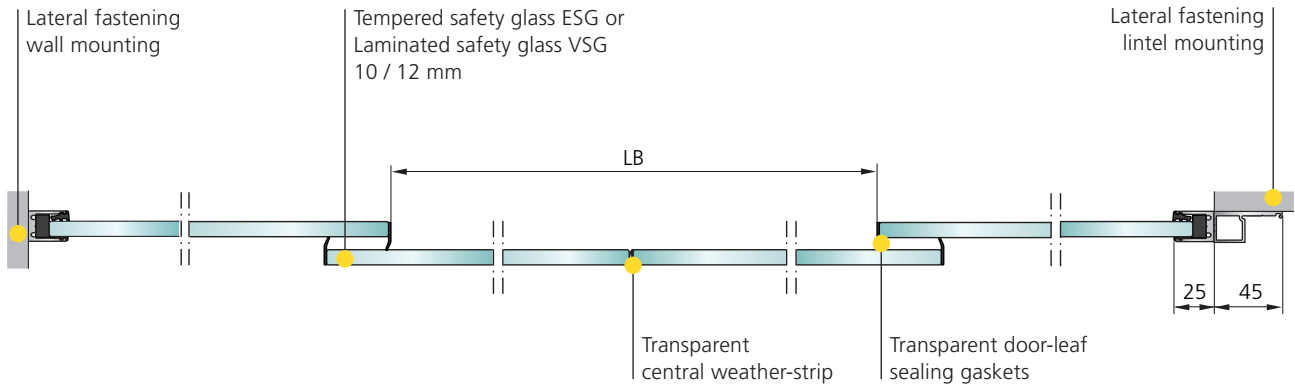
- Standard locking-system built into drive mechanism
- A floor lock and a full-length stainless steel bottom guide rail of can be used in combination

#### **Safety**

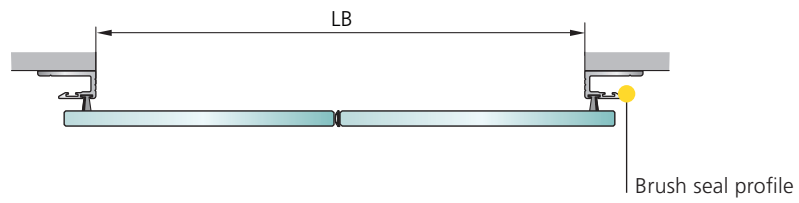
- Independantly tested - TUV Nord
- Complies to EN16005, DIN18650 standards
- Integral safety with Gilgen SL

# Possible applications

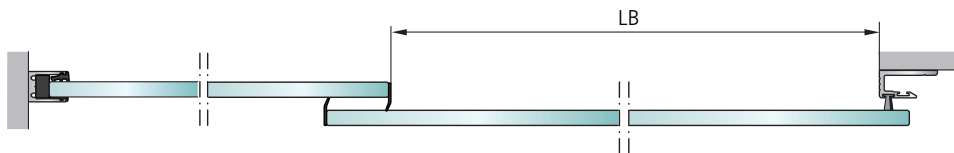
## Bi-parting installation with side panels



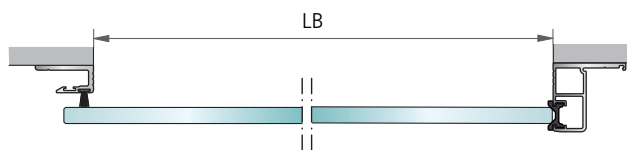
## Bi-parting installation without side panels



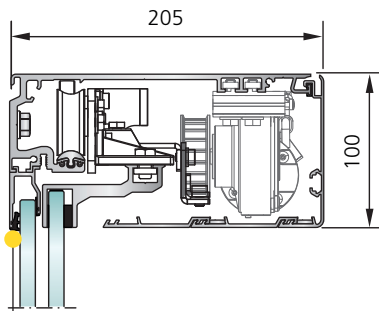
## Single door leaf installation with side panel



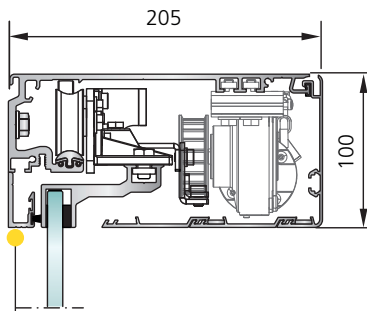
## Single door leaf installation without side panel



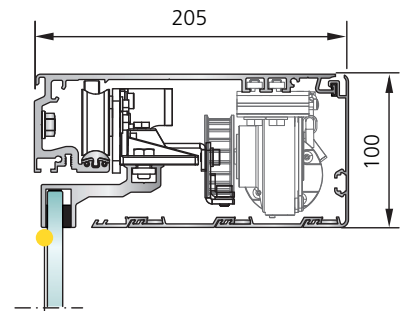
**Header height of 100 mm and 140 mm**



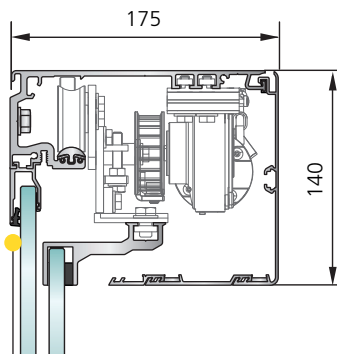
Header 100 mm  
with side panel



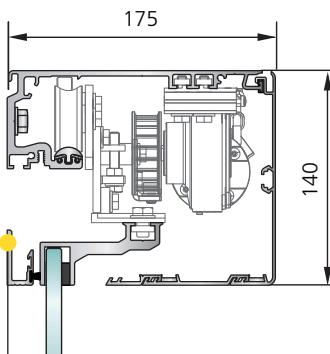
Header 100 mm  
without side panel  
with brush sealing profile



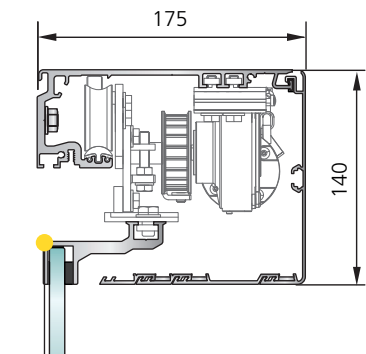
Header 100 mm  
without side panel



Header 140 mm  
with side panel

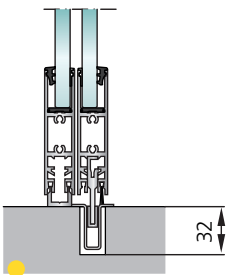


Header 140 mm  
without side panel  
with brush sealing profile

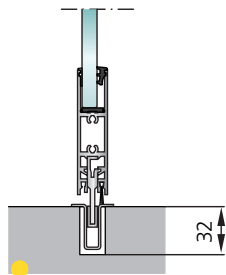


Header 140 mm  
without side panel

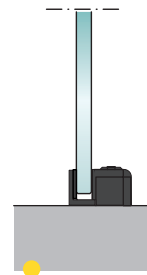
**Bottom guide rails**



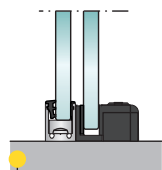
Full-length stainless steel bottom  
rail integrated in the floor with  
slimline design  
(for increased safety and stability)



Full-length stainless steel bottom  
rail integrated in the floor with  
slimline design  
(for increased safety and stability)



Lateral fixed point guide  
on the floor



Lateral fixed point guide  
on the floor

## Technical data - PSF full-glass sliding door

### Range of application\*

PSF sliding door	Clear width	Clear height	max. door leaf weight
Single door leaf	700 - 1500 mm (redundant 950 - 1500mm)	up to 2500 mm	120 kg
Bi-parting	800 - 2500 mm (redundant 900 - 2500mm)	up to 2500 mm	2 x 120 kg

\*When combined with Gilgen SL/SLX operator

## Options

### Glazing

- Safety glass ESG 10/12 mm
- Safety glass VSG-TVG 10/12 mm

### Control / Activation

- D-Bedix module enables control of functionality; lock, hold open etc
- Choice of activation including infrared sensor, push button, contact-less button, key fob, remote control

### Gilgen Door Systems

Securiparc House, Wimsey Way, Alfreton, Derbys, DE55 4LS

Tel: 0800 316 6994, [info@gdukds.com](mailto:info@gdukds.com)  
[www.gdukds.com](http://www.gdukds.com)