

PSA PROFILE SYSTEM NARROW FRAMED SLIDING DOOR



The narrow framed GILGEN PSA profile system creates a design-oriented look optimised for internal spaces, with its delicate design incorporating a high ratio of glazing and very low-profile frames.

Regardless of its great style and harmonious looks PSA incorporates an innovative dry-glazing arrangement that makes the system surprisingly robust; the vertically interlocking configuration of the door leaves also provide further rigidity and protection from draughts. When matched with the GILGEN SL safety is assured and the system offers easy installation for numerous applications.

Configurations

- Single-leaf and bi-parting
- Two and four leaf telescopic sliding doors
- With side panel, protection leaf
- Can be attached to door lintel or wall
- Flush bottom guide rail or fixed point guide

Security & Locking

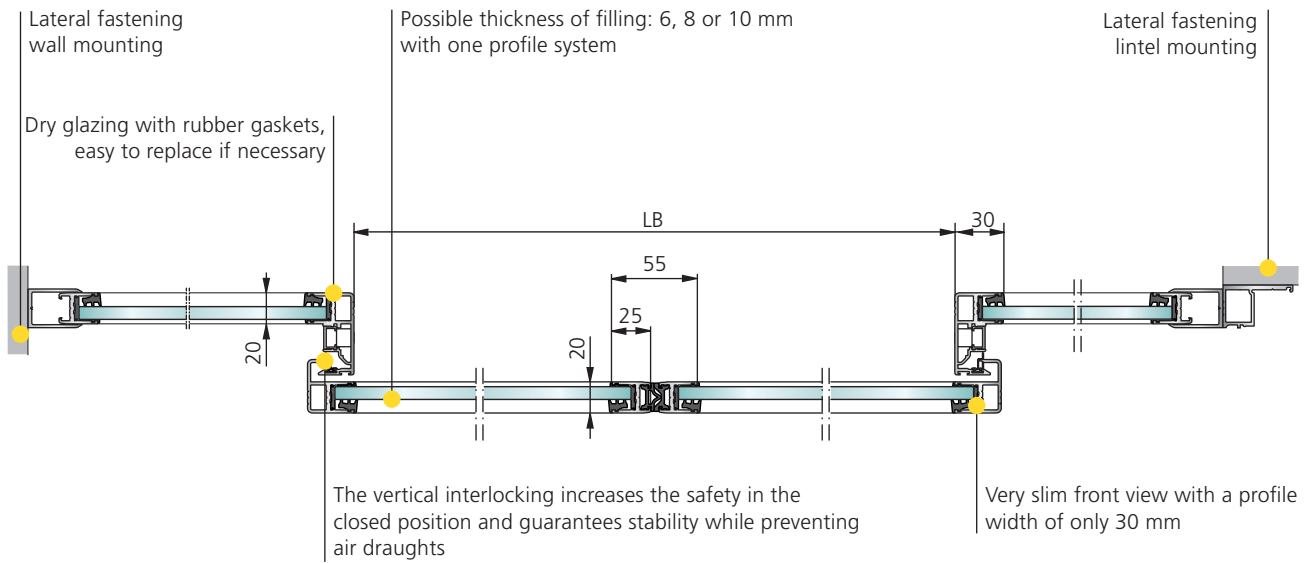
- Standard locking system built into the drive system
- Optional floor lock

Safety & Control

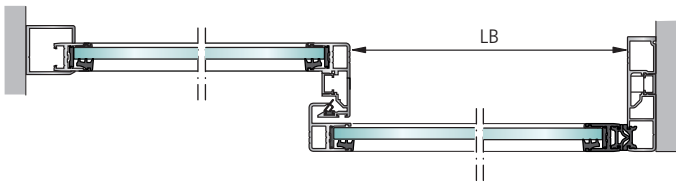
- Independently tested - TÜV Nord
- Compliance to EN 16005 & DIN 18650 safety standards
- Integral safety measures when installed with Gilgen SL
- Battery back up on power failure
- Range of activation and control modules

Possible applications

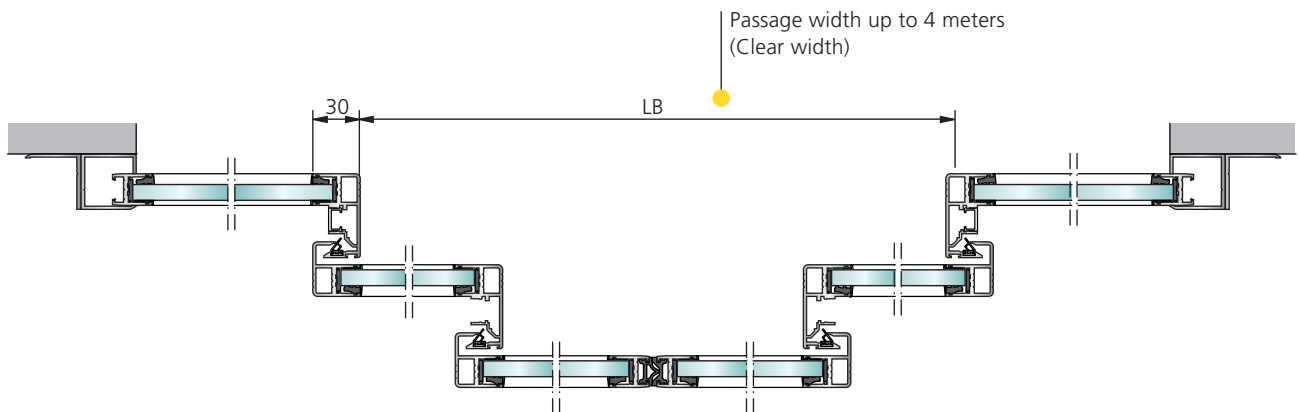
Bi-parting installation with side panels



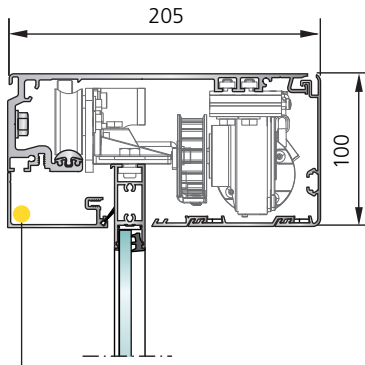
Single door leaf installation with side panel



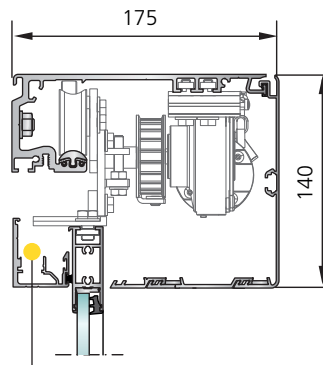
Four-leaf telescopic installation with side panels



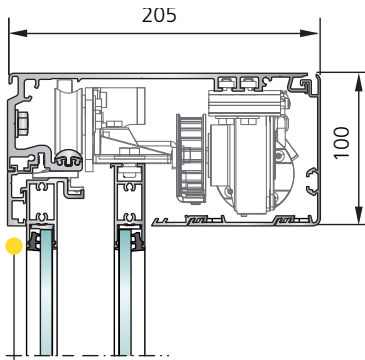
Header height of 100 mm and 140 mm



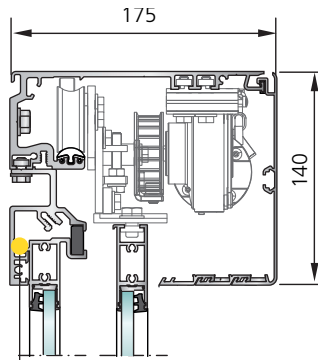
Header 100 mm
without side panel



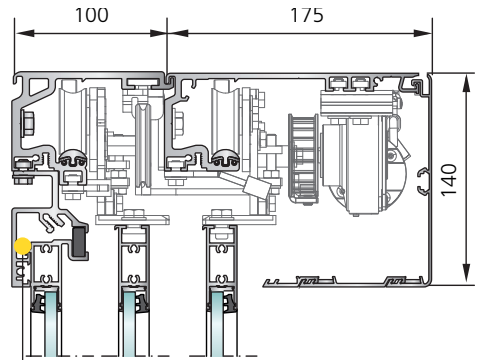
Header 140 mm
without side panel
(possible with supporting profile)



Header 100 mm
with side panel

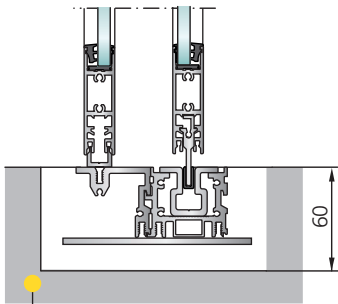


Header 140 mm
with side panel
(possible with supporting profile)

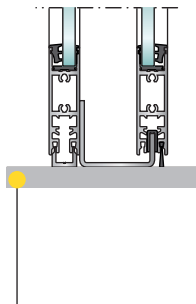


Header 140 mm telescopic
with side panel
(possible with supporting profile)

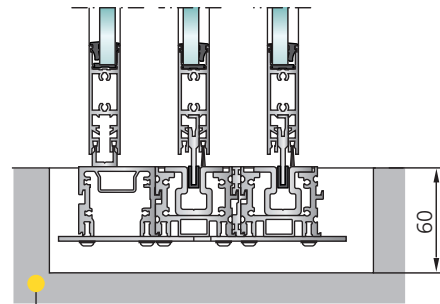
Bottom guide rails



Full-length bottom rail
integrated in the floor
(for increased safety and stability)



Lateral fixed point guide
on the floor



Full-length bottom rail telescopic

Technical data - PSA narrow framed sliding door

Range of application

SL	Clear width	Clear height	max. door leaf weight
Single-leaf	700 - 1300 mm	up to 2500 mm	100 kg
Bi-parting	800 - 2500 mm	up to 2500 mm	2 x 100 kg
Two-leaf telescopic	1100 - 3000 mm	up to 2500 mm	2 x 100 kg
Four-leaf telescopic	1200 - 4000 mm	up to 2500 mm	4 x 75 kg

Options

Glazing and Infill Options

- Safety glass laminated or toughened
- Glass thickness 6, 8 or 10mm
- Infill's made of plastic, glass or wood

Surface Finish of Aluminium Profiles

- Anodised - coloured or colourless
- RAL colours, Polyester powder coating (PPC)
- Special finishes on request, subject to approval

Gilgen Door Systems

Securiparc House, Wimsey Way, Alfreton, Derbyshire, DE55
4LS

Tel: 0800 316 6994 info@gdukds.com
www.gdukds.com